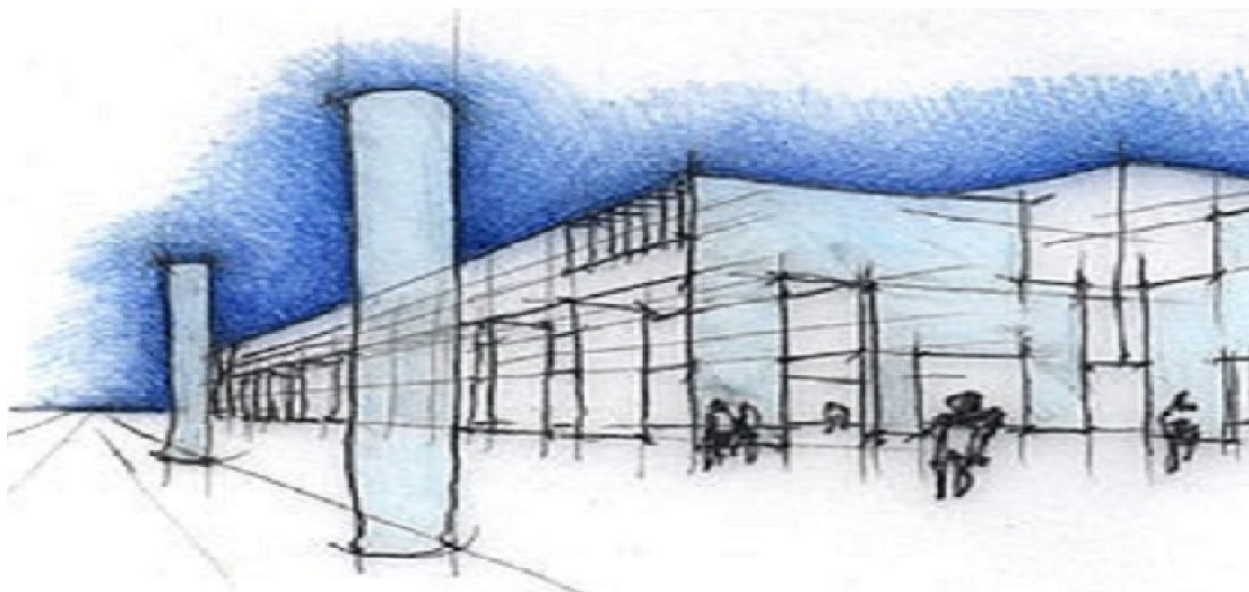


# Conventional Gas Sensor SGM595/A

## V. R1bd04



The **SGM595/A** is born from the elegance and prestige that has always distinguished **BEINAT S.r.l.** and from the home fitness concept.

The probe is a Catalytic gas detection unit with **IP66** protection that, together with one of BE INAT's industrial type Control Units, detects the presence of **esplosive gas** such as Methane, LPG, Hydrogen, and other types of gas.

The probe is managed by a microprocessor which not only supplies an alarm signal to the control unit connected to it, but also allows execution of a self-diagnosis and therefore an **AUTOMATIC CALIBRATION**, in order to always have the maximum detection accuracy.

The self-calibration means the probe adapts in harsh and variable temperature environments, avoiding false alarms due to anomalous events.

The probe has a **0 ÷ 20 % LEL** linear output conforming to the **4 ÷ 20mA** standard, for which can be connected with one of BEINAT's industrial control units.

The **important innovation** of this probe is:

The possibility to substitute the sensor at the end of the operating cycle or fault by the technician without having to send to **BEINAT Srl.**

### Indispensable instrument for the annual check of the probes

#### Instrument of testing TS1008

To facilitate the reading of the functional parameters of the probe as well as the control of annual operating, the **BEINAT S.r.l.** has built a new portable tester **TS1008**.

The tester allows to read all the data in the memory of the probes eand by serial transmission, it prints the ticket that confirms the testing data.



**Important:** Assembly / maintenance of the appliance must be carried out by qualified personnel and in accordance with applicable laws and regulations.

The manufacturer assumes no responsibility for the use of products that have to comply with particular environmental and / or installation standards.



#### Important note

Before connecting the equipment, it is recommended that you read the instruction manual carefully and keep it for future reference. It is also recommended to perform the electrical connections correctly as per enclosed drawings, observing the instructions and the Standards.

**N.B. Refer to the documentation in all cases where the symbol is on the side**



**Installation and user  
guide**

#### CONFORMITY

**EN 50270**  
**Compliant EN 60079-29-1**  
**Installation EN 60079-29-2**  
**Reports issued by TUV Italia**

## Precautions

**CHECK** the integrity of the unit after having removed it from the box.  
Check that the data written on the box correspond to the type of gas used.  
When doing the electrical connections, follow the drawing closely.  
Any use of the detector for purposes other than the intended one is considered improper, and as a result of which **BEINAT S.r.l.** therefore disclaims any responsibility for possible damages caused to people, animals or objects.

### TERMS and EXPECTATIONS:

The installation of the **SGM595/A** Sensor, its ordinary and extraordinary maintenance, every six months, and its out of service removal at the end of the functional life guaranteed by the manufacturer, must be carried out by **authorized or specialized personnel**.

**Do not allow it to become wet.**

The control unit can be seriously damaged as it is not waterproof either when immersed in water or exposed to high levels of humidity.

**Do not drop it.**

Heavy knocks or falls during transportation or installation can damage the appliance.

**Avoid abrupt temperature fluctuations.**

Sudden temperature variations can cause condensation and the control unit could work poorly.

**Cleaning**

Never clean the device with chemical products. If necessary, wash with a moist cloth.



## Technical Specifications

Power Supply .....	<b>12÷24VDC</b> ± 10%
Power demand.....	90 mA in operating, 110 mA in alarm Max @ 13,8 VDC
<b>LEDS</b> diode signals .....	<b>GREEN</b> light normal operation, <b>YELLOW</b> light fault, <b>RED</b> light alarm
Slot expansion board relay; CARD-03 .....	Fault , Prealarm, Allarm. Relay contacts 1A 30 VDC <b>SELV</b>
Sensor .....	Cartalityc
Sensitive element working range .....	To 100% of LEL
Analog output signal .....	4÷20 mA standard tolerance
Selection of the detector range .....	0÷20%L.E.L. or 0÷100%L.E.L.
Detector accuracy .....	1% FS
Long term shift in clean air .....	< 3% of LEL
Auto zero procedure .....	Included in the software algorithms
Response Time .....	<10"
Warm-up time .....	1,30 minutes
Functioning humidity .....	0-90% non condensed
Functioning temperature .....	-10°C to +50°C
Control units usable .....	BX444-Mc, BX449F, GS100M, BX180, BX280, BX150, GS300-Mc, BX316xp, BX308xp
Max. distance between probe and unit .....	100 m
Cable diameter for connecting probe .....	1 mm
Connection: <b>The cable of connection of the probe must not be installed together with the power cables. Otherwise, make sure to use a shielded cable</b>	
Probe's body material .....	Aluminium
External degree of protection .....	<b>IP66</b>
Size .....	100x100x60

### Technical Features SGM595/A

Code	Type of Gas	Sensor	Working range	Temperature
SGM595/Amet	<b>Methane</b>	Catalytic	0÷20%L.E.L. or 0÷100%L.E.L.	-10+50°C
SGM595/Agpl	<b>LPG</b>	Catalytic	0÷20%L.E.L. or 0÷100%L.E.L.	-10+50°C
SGM595/Aidr	<b>Hydrogen</b>	Catalytic	0÷20%L.E.L. or 0÷100%L.E.L.	-10+50°C
SGM595/Aace	<b>Acetylene</b>	Catalytic	0÷20%L.E.L. or 0÷100%L.E.L.	-10+50°C
SGM595/Avbe	<b>Gasoline vapours</b>	Catalytic	0÷20%L.E.L. or 0÷100%L.E.L.	-10+50°C
SGM595/Aalc	<b>Alcohol</b>	Catalytic	0÷20%L.E.L. or 0÷100%L.E.L.	-10+50°C

### WARNING!

The CATALITIC sensor has a life span of 5 to 6 years in clean air.  
The working temperature of the probe recommended is from -10 ° C to + 50 ° C.  
Every puffy snapshot of gas over 100% of L.I.E. Takes months off the sensor.  
Each immediate puff of gas that exceeds 100% of L.E.L. takes away months of life from the sensor.  
The detector must be tested by simulating the presence of gas by issuing it from a pre-calibrated testing aerosol.

### Important:

The test of operation and eventually offset cancellation must be performed at least **once a year**, by a qualified technician.

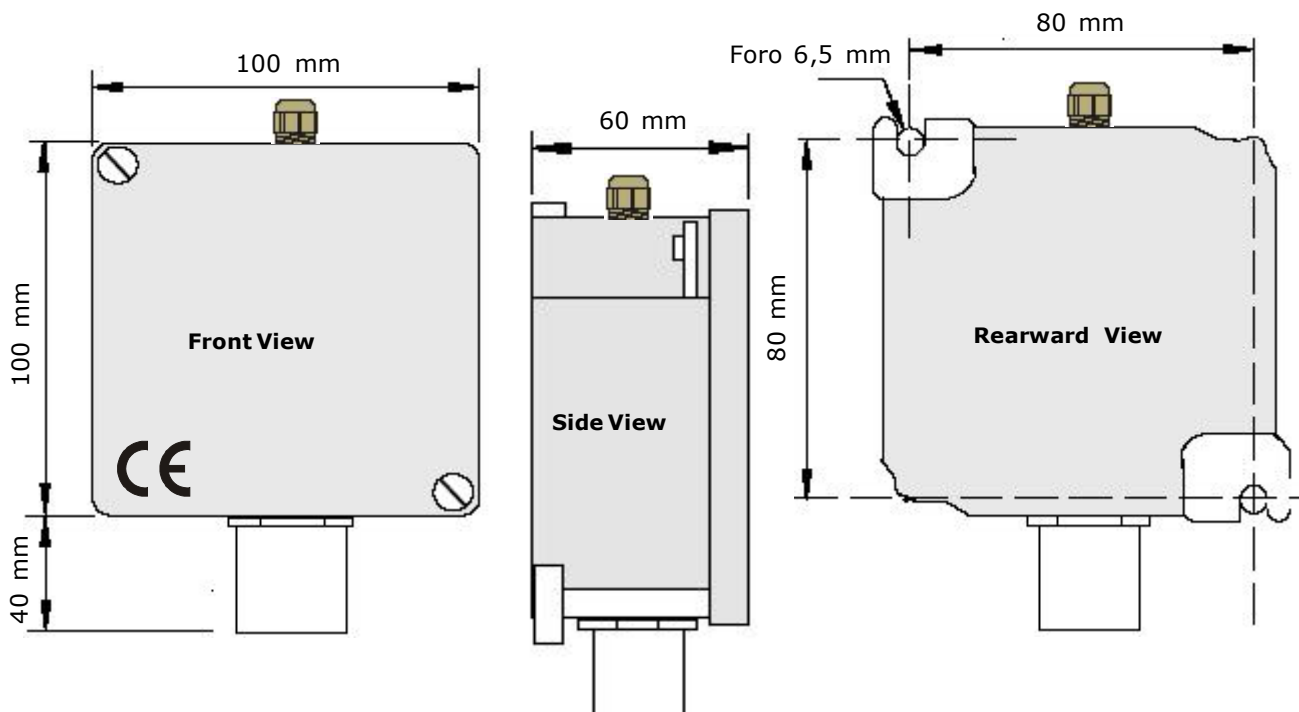
CONTROL UNITS	MOUNTING	PROBES Max.	DEGREE protec.	PRE alarms	ALARMS	POSITIVE safety	OPERATING range
<b>GS100M unit</b> 1 zone	Wall/cabinet	1	IP44	2	1	YES	NO
<b>GS300M unit</b> 1 zone	Wall/cabinet	3	IP44	2	1	YES	NO
<b>GS300-Mc unit</b> 1 zone	Wall/cabinet	3	IP44	2	1	YES	NO
<b>BX444-MC unit</b> 1 zone	Wall/cabinet	4	IP44	2	1	YES	NO
<b>BX150 unit</b> 1 zone	Panel	1	IP42	1	1	YES	NO
<b>BX180 unit</b> 1 zone	Omega bar DIN	1	IP20	1	1	YES	NO
<b>BX280 unit</b> 1 zone	Omega bar DIN	2	IP20	1	1	YES	NO
<b>BX449F unit</b> 1 zone	Omega bar DIN4	IP20		1	1	YES	NO
<b>BX308 unit</b> 1 zone	Omega bar DIN8	IP20		1	1	YES	YES
<b>BX308/Box unit</b> 1 zone	Wall	8	IP65	1	1	YES	YES
<b>BX316 unit</b> 2 zones	Barra Omega	16	IP20	1	2	YES	YES
<b>BX316/Box unit</b> 2 zones	Wall	16	IP65	1	2	YES	YES
<b>TAKITJ8 * Data Collector</b>	Wall	8	IP65	-	-	-	-

**MAINTENANCE**



The user periodically (every 6 months) must perform a check of the operation of the control unit by spraying a suitable test gas at the base of the probes connected until the alarm condition is reached.

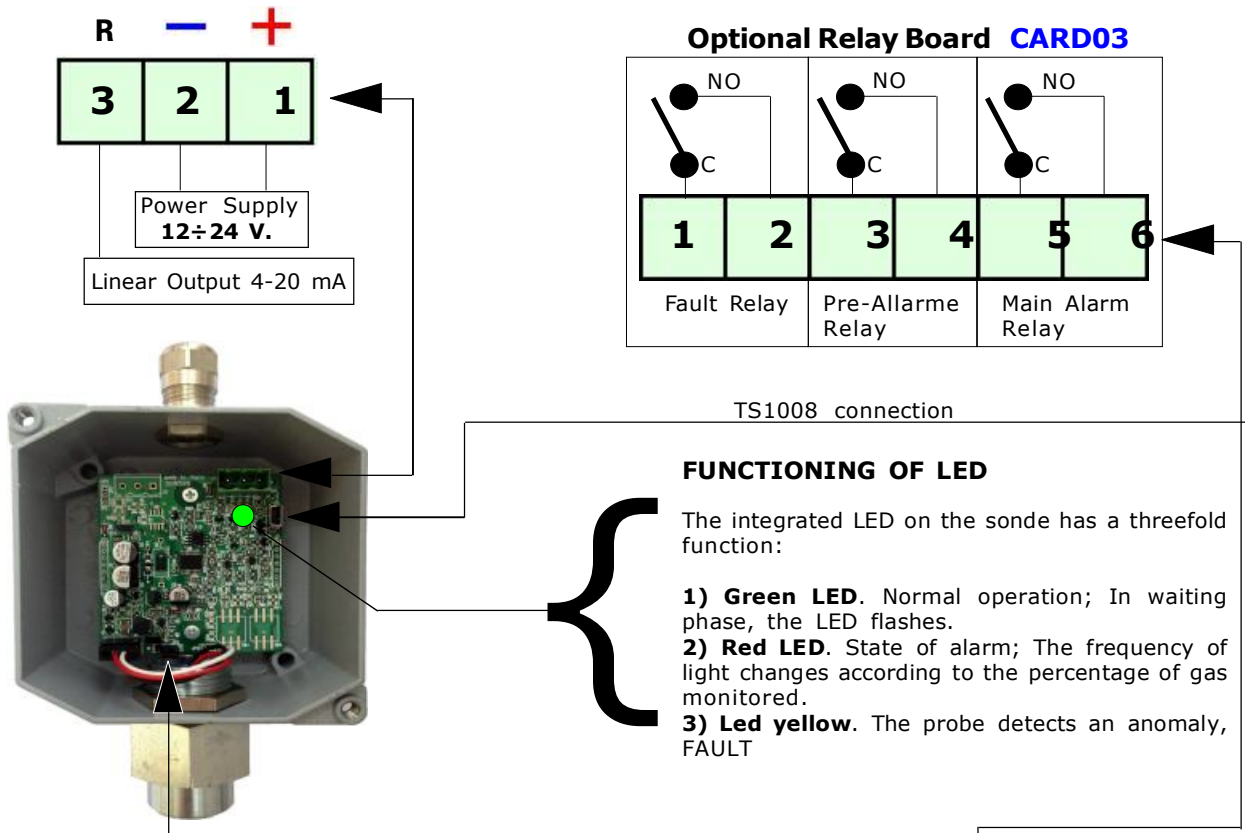
- At least once a year make a more accurate check by a specialist technician.
- Disabling the detector must be carried out by qualified personnel.



The installation of the detector does not exempt from the compliance with all regulations concerning the characteristics, installation and use of gas appliances. The ventilation of the spaces and the elimination of combustion products are described in the UNI norms according to ART. 3 LAW 1083 / 71 and relevant legal provisions.

**WARNING**

Before connecting to the mains power, ensure the voltage is correct. Carefully follow the instructions and the connections according to Regulations in force, keeping in mind that the signal cables should be laid separate from the power cables



**FUNCTIONING OF LED**

The integrated LED on the sonde has a threefold function:

- 1) **Green LED.** Normal operation; In waiting phase, the LED flashes.
- 2) **Red LED.** State of alarm; The frequency of light changes according to the percentage of gas monitored.
- 3) **Led yellow.** The probe detects an anomaly, FAULT

100% ■■■■ 20%

100% 20%

**SELECTION OF THE OPERATING RANGE**

The Conventional Probes, NOT SUITABLE IN ATEX ZONE, LEAVE THE FACTORY WITH A DEFAULT OPERATING RANGE VALUE SET AT 20% OF THE LEL

To select the operation range to 100% LEL you need to move the jumper between the central and the left pole.

**ATTENTION !!**  
Before to do this, it may want to check the operation range of the control unit..

Furthermore, this operation must be performed by an authorized and / or trained technician.

Led ON

**OPTIONAL CARD03 BOARD INSERTION**

Before inserting the Open Collector **CARD03** board,  
SWITCH OFF THE POWER TO THE PROBE.

Insert the board according to the drawing keeping the terminal block on the left. All relays are voltage free. Contact capacity **1A 30VDC SELV**

## Connections Tester TS1008

### Operation of the TS1008 Tester

By connecting the TS1008 tester, you can proceed to check the probe in question and print the test report.



#### Display legend

Displays the type of probe or device  
 Displays the serial number  
 Displays the week and year of manufacture  
 Displays the remaining days at the end of the operating cycle.  
 Displays how many times the probe has been turned on.  
 Displays how many times is gone into alarm.  
 Displays how many corrections have been done  
 Displays the operating range if at 20 or at 100% of LEL  
 Displays a scrolling to the normalized value, coming out of the gas cap, modifying these data compromises the functioning and is reserved for authorized technicians.

```

ADC 80 16 (125 145)
probe sg-02100
sn 24ad12
date 15 2014
DaY 2190
cy 5
al 15
drift 12
range 20
lel 20% (fault)
print
tar
new save
low bat
    
```

## Troubleshooting before calling a technician

### Attention!!

The regulations described in this paragraph must be performed by authorized and specialized technicians and are susceptible to compromise the safety of the survey.

#### If the device does not start up.

Check that the 12/24 Vdc power is present, and that positive and negative polarity has not been inverted.

#### If the Fault LED lights up.

Check that the cables are connected according to the drawing, and that the wire isolation sheath has not been pinched.

Check the voltage at the terminals 1-2. It must be higher than 10,80 Vdc and lesser than 26,4 Vdc.

Check that the connector of the sensor is correctly inserted.

**If it's connected to control unit.** Check the voltage at the terminals 2-3. It must be from a minimum of 0.8 Vdc to a maximum of 1.1 Vdc.

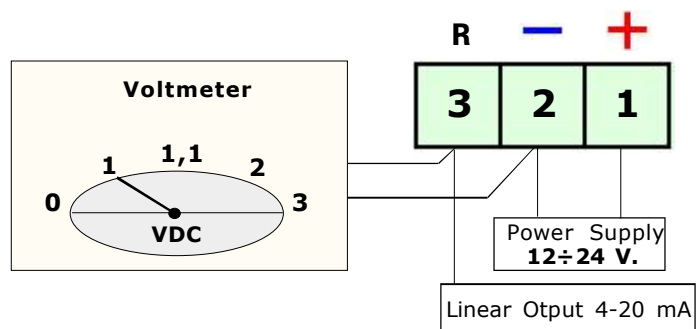
#### Remark.

If the probes are connected to the control units **BX308** and **BX316** the voltage at the terminals 2 and 3 must be from a minimum of 0.6 to a maximum of 0.75 VDC

### WARNING.

These measurements should be performed in clean air.

Moreover, this test must be performed only with the probe connected to a control unit, or with a 220 Ohm resistance installed between terminal 2 and terminal 3.



If other problems arise, a specialised and/or authorised technician and/or the Distributor of **BEINAT S.r.l.** should be contacted directly.

## Positioning of the Sensor

The probes must be selected with an "IP" degree of protection depending on the area to be controlled (Kitchens, Boiler rooms, Laboratory, Factories, etc.) by choosing one of the probes produced by Beinat that goes from IP30 to ATEX.

The GAS sensors connected to this equipment are of various types and must be positioned at different heights depending on the type of gas to be detected.

These heights are:

- 30 cm. from the lowest point of the floor to detect: **heavy gases (G.P.L., etc.)**
- 30 cm. from the highest point of the ceiling to detect: **light gases (Methane, Hydrogen etc.)**

**It is important to remember that the remote probes must be installed keeping in mind that:**

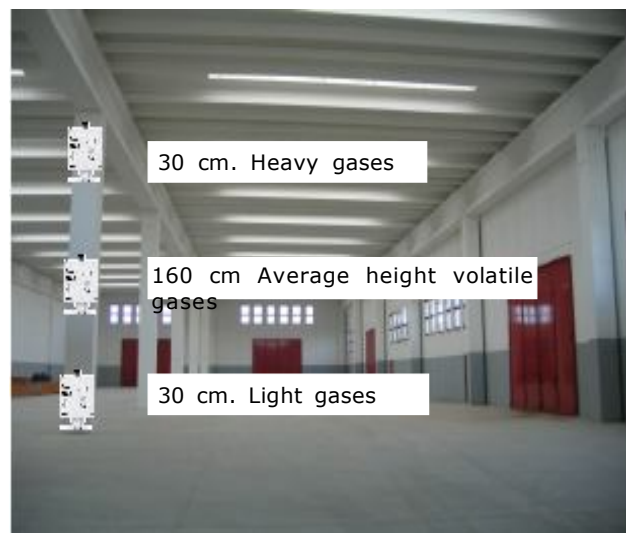
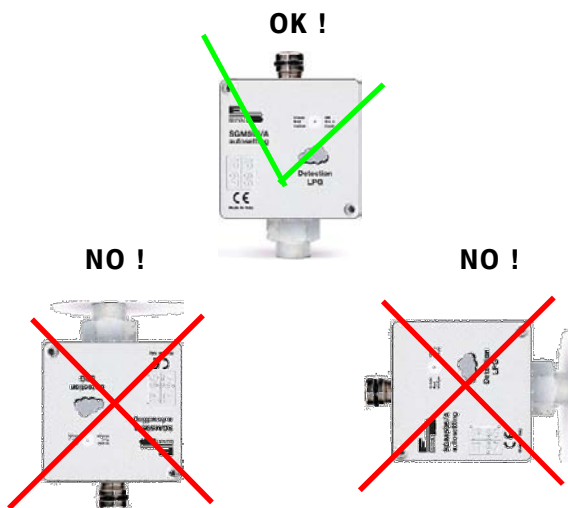
- 1) The probes must not be installed near the appliance to be controlled, boiler, burner, industrial kitchens, etc.) but on the opposite side.
- 2) The probes must not be affected by fumes, vapors, and by sources of moving air, which could distort the detection.
- 3) The probes must not be installed near sources of heat, fans or vacuum cleaners.

**NOTE.** Recall that the GAS detection sensors placed inside the probe are perishable components, whose average duration is variable 5 years therefore after this period it is good to replace them.

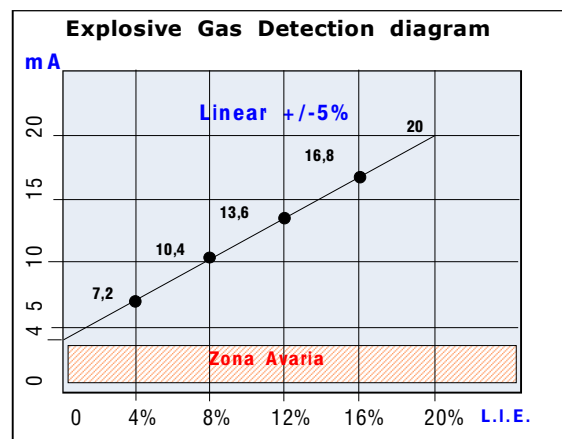
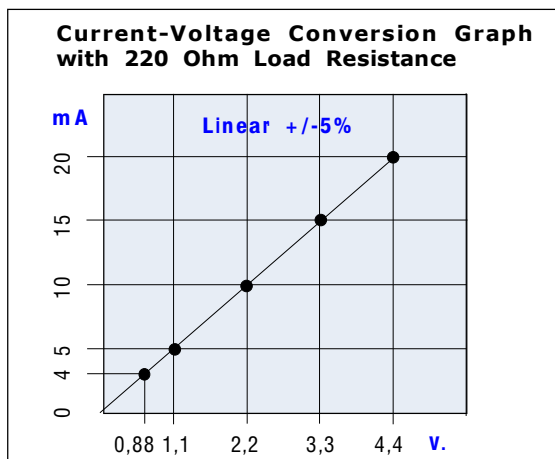
### Maintenance

The user is kept periodically (every 6 months), to perform a verification of the operation of the detection system by spraying specific test gas to the connected probes, until the alarm status of the control unit is obtained.

- a) **Once a year**, a more thorough check must be carried out by a specialized technician.
- b) The removal of the probes after 5 years from installation must be carried out by qualified personnel.



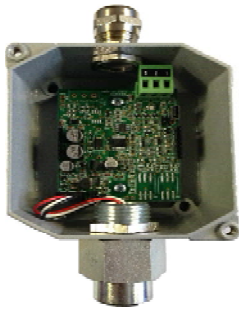
## Detection diagrams data



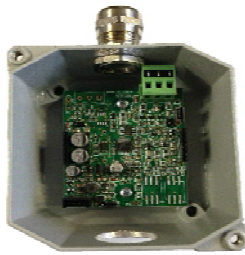
## Maintenance and gas sensor replacement



**Before performing this operation disconnect the power to the probe**



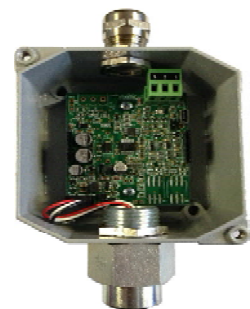
**Probe with sensor to be replaced**



**Probe with sensor removed**



**Sensor**



**Probe with sensor remounted**

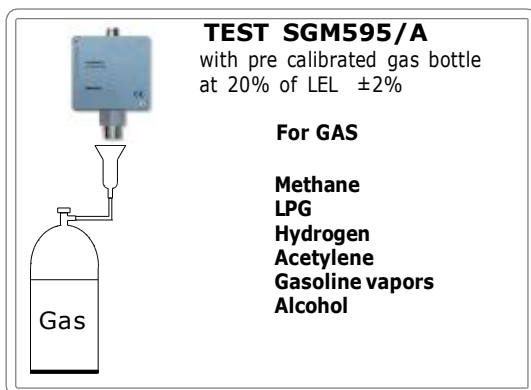
**Test after replacing the sensor.**

Reconnect the power, the probe starts blinking to the waiting time (Warm-up). After waiting you can proceed to test the functioning inputting the sample gas.

**WARNING !!** From this moment on for all the duration of 24 hours of self-calibration, the probe must stay in clean air without loss of GAS.

The probe continues to blink at a low frequency again for 24 hours to make sure that the probe do the auto calibration.

## Gas input Test



The installation of the **SGM595/A** probe, its ordinary and extraordinary maintenance, and its out of service removal at the end of the functional life guaranteed by the manufacturer, must be carried out by authorized or specialized personnel.

The general test should be performed by issuing gas from a pre-calibrated aerosol within the percentages illustrated on the side.

**Important:** This test must be carried out at least once a year.

## **WARNING! Actions to be taken in case of alarm**

- 1) Put out all free flames.**
- 2) Close the main gas tap or the LPG cylinder tap.**
- 3) Do not turn any lights on or off; do not turn on any electrical device or appliance.**
- 4) Open windows and doors in order to increase ventilation.**

**If the alarm stops, its cause must be found and the relevant consequent measures taken.**

**If the alarm continues and the cause of gas presence cannot be found or removed, abandon the building and call the emergency services when outside (fire department, distributors, etc.)**

**IMPORTANT:** The operation test should not be carried out with the gas tap as this does not guarantee a sufficient concentration to activate the general alarm.

### **Warning !!**

If you have the following symptoms: vomiting, sleepiness, or else, go to the closest first aid station and inform the operators that you could have been poisoned by **Carbon Monoxide, or by an excess or deficiency of oxygen**



**INSURANCE.** This device is insured by the SOCIETÀ REALE MUTUA for the PRODUCT'S GENERAL LIABILITY up to a maximum of 1,500,000.00 EURO against damages caused by the device in case of failures in functioning.

**WARRANTY.** The warranty term is 3 years from manufacturing date, in agreement with the following conditions. The components acknowledged as faulty will be replaced free of charge, excluding the replacement of plastic or aluminium cases, bags, packing, batteries and technical reports.

The device must arrive free of shipment charges to **BEINAT S.r.l.**

Defects caused by unauthorized personnel tampering, incorrect installation and negligence resulting from phenomena outside normal functioning shall be excluded from the warranty.

**BEINAT S.r.l.** is not liable for possible damage, direct or indirect, to people, animals, or things; from product faults and from its enforced suspension of use.



**DISPOSAL OF OLD ELECTRICAL & ELECTRONIC EQUIPMENT.**

This symbol on the product or its packaging indicates that this product shall not be treated as household waste. Instead, it shall be handed over to the applicable collection point for the recycling of electrical and electronic equipment, such as for example:

- sales points, in case you buy a new and similar product
- local collection points (waste collection center, local recycling center, etc...).

By ensuring this product is disposed of correctly, you will help prevent potential negative consequence for the environment and human health, which could otherwise be caused by inappropriate waste handing of this product. The recycling of materials will help to conserve natural resources. For more detailed information about recycling of this product, please contact your local city office, your household waste disposal service or the shop where you purchased the product.

**Attention:** in some countries of the European Union, the product is not included in the field of application of the National Law that applies the European Directive 2002/96/EC and therefore these countries have no obligation to carry out a separate collection at the "end of life" of the product.



**IP66**

**Made in Italy**

Sensor **SGM595/A**

*Lo styling è della b & b design*

Stamp and signature of the dealer

Purchase date: .....

Registration number: .....

The Beinat S.r.l. following the targhet to improve its products, reserves the right to modify the technical features, aesthetic and functional any time without prior notice.

**BEINAT S.r.l.**

Via Fatebenefratelli 122/C 10077, S. Maurizio C/se (TO) - ITALY

Tel. 011.921.04.84 - Fax 011.921.14.77

http:// www.beinat.com



**Business** - info@beinat.com

**Help Desk** - laboratorio@beinat.com